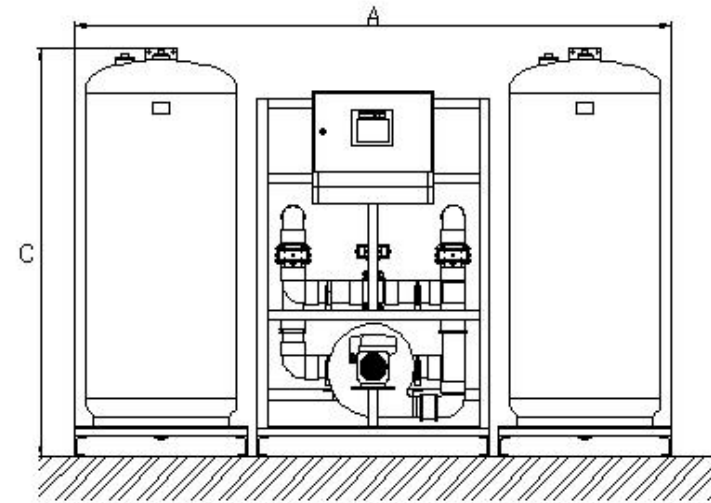
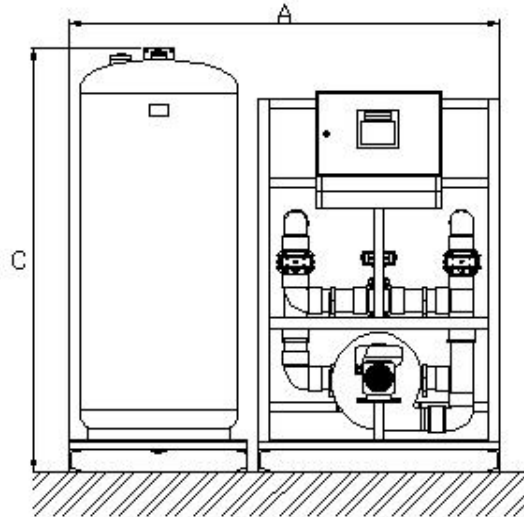
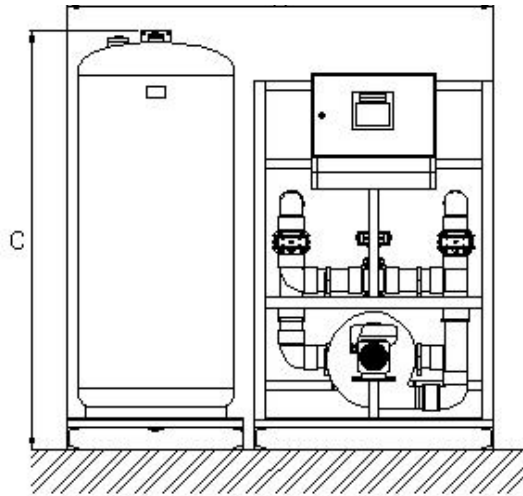
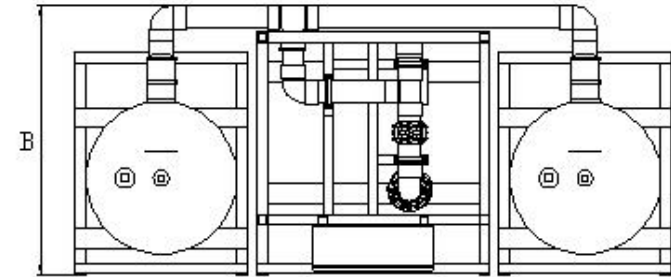
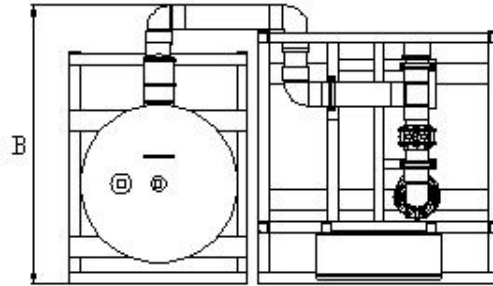
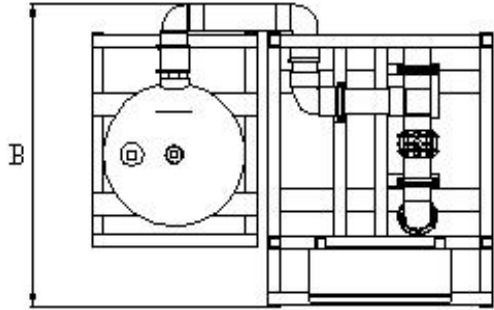


| Type    | Capacity CO <sub>2</sub> per 24 hours (kg.) | Voltage (V) | Power           |                  | Fuse (A) | Plug (poles) | Phase | Noise (dB) | PVC connection (mm) | Adsorber lung (m <sup>3</sup> ) | No. of skids | Dimensions (mm) |         |          | Weight (kg) |
|---------|---|-------------|-----------------|------------------|----------|--------------|-------|------------|---------------------|---------------------------------|--------------|-----------------|---------|----------|-------------|
|         |   |             | connection (kW) | consumption (kW) |          |              |       |            |                     |                                 |              | A Width         | B Depth | C Height |             |
| US 20   | 10  | 230         | 0,39            | 0,39             | 16       | 2            | 1     | 75         | ¼                   | -                               | 1            | 640             | 1100    | 1820     | 200         |
| US 175  | 85  | 230         | 0,5 - 1,1       | 0,5              | 16       | 2            | 1     | 75         | 110                 | 4                               | 2            | 1700            | 1325    | 1800     | 450         |
| US 255  | 125   | 230         | 0,5 - 1,1       | 0,8              | 16       | 2            | 1     | 75         | 110                 | 4                               | 2            | 1700            | 1325    | 1825     | 520         |
| US 405  | 200   | 230         | 0,5 - 1,1       | 1,1              | 16       | 2            | 1     | 75         | 110                 | 6                               | 2            | 1700            | 1300    | 2060     | 670         |
| US 605  | 300   | 400         | 1,6 - 3,0       | 1,6              | 16       | 5            | 3     | 78         | 110                 | 8                               | 2            | 2050            | 1350    | 2010     | 970         |
| US 805  | 400   | 400         | 1,6 - 3,0       | 2,1              | 16       | 5            | 3     | 78         | 125                 | 8                               | 2            | 2150            | 1400    | 2050     | 1120        |
| US 1105 | 550   | 400         | 1,6 - 3,0       | 2,6              | 16       | 5            | 3     | 78         | 125                 | 10                              | 2            | 2250            | 1400    | 2450     | 1320        |
| US 1405 | 700   | 400         | 1,6 - 3,0       | 3,0              | 16       | 5            | 3     | 78         | 125                 | 12                              | 2            | 2450            | 1600    | 2350     | 1830        |
| US 2005 | 1000  | 400         | 4,0 - 7,5       | 5,5              | 35       | 5            | 3     | 80         | 160                 | 12                              | 2            | 2950            | 1750    | 2380     | 2200        |
| US 2205 | 1100  | 400         | 4,0 - 7,5       | 6,5              | 35       | 5            | 3     | 80         | 160                 | 2 x 10                          | 3            | 3750            | 1750    | 2450     | 2400        |
| US 2805 | 1400  | 400         | 4,0 - 7,5       | 7,5              | 35       | 5            | 3     | 80         | 160                 | 2 x 12                          | 3            | 4150            | 1750    | 2350     | 3420        |
| US 4005 | 2000  | 400         | 11,0 - 15,0     | 12               | 35       | 5            | 3     | 80         | 160                 | 2 x 12                          | 3            | 4400            | 1750    | 2410     | 4050        |

Rev. 19-01 - Mentioned dimensions, weights and other specifications are approximate. No rights can be derived from this document.



Type US 175 / US 255 / US 405

Type US 605 / US 805 / US 1105 / US 1405 / US 2005

Type US 2205 / US 2805 / US 4005